

ThermalTronix

TT-1600M-33-CTCM

TT-1600M-61-CTCM

Thermal Camera Specifications



FEATURES

600mm focal length, ultra long-range observation distance.

15KM vehicle/30KM medium vessel security detection.

Triple FOV, meets the different requirement of detection, recognition, identification.

FOV switch time <1S.

Digital Detail Enhancement.

Multiple user defined auto mode, meets different targets observation requirement in different environment.

RS485 remote control.

Rugged housing, compact structure, high protection encapsulation (IP67).

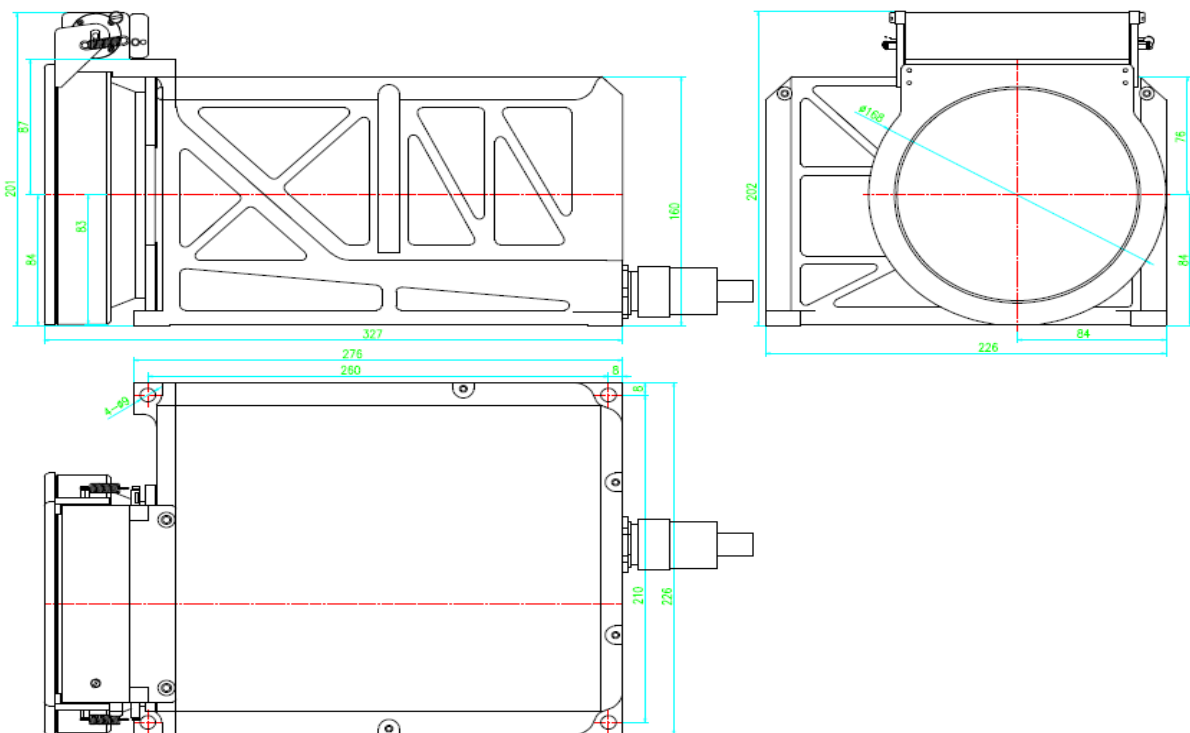
Intellisystem Technologies S.r.l.

Via Augusto Murri, 1 - 96100 Siracusa - Phone +39 (0)931-1756256 / +39 (0)2-87167549 - Mobile (+39) 335 1880035
em@il: info@intellisystem.it WEB: <http://www.intellisystem.it>

DESCRIPTION

Suitable for border, maritime, ports and islands where require day and night security surveillance.

SIZE



SPECIFICATIONS

Item		<i>ThermalTronix</i>	
		TT-1600M-33-CTCM	TT-1600M-61-CTCM
Detector	Detector type	HgTeCd Cooled FPA detector	
	Array size/format	320x256	640x512
	Pixel pitch	30µm	15µm
Image characteristics	Field of view(FOV)	WFOV: 11°x8.8° MFOV: 2.2°x1.76° NFOV: 0.92°x0.73°	
	Focal length	50/250/600mm	
	Spatial resolution	WFOV:0.6mrad MFOV 0.12mrad NFOV 0.05mrad	
	FOV switch time	≤1s	
	NETD	≤35mk@30°C, F4	
	Frame frequency	50Hz	
	Focus	Auto/Electrical manual focus	
	Spectral range	3.7~4.8µm	
Thermal operations	Starting time	<8min (In normal temperature 25 degrees)	
	Brightness/gain adjustment	manual brightness/gain adjustment; auto brightness/gain adjustment	
	Auto brightness/gain configuration adjustment	2 fix pattern, 8 user defined setting pattern	
	Polarity reversal	Black hot/White hot	
	Zoom	2x	
	Noise reduction	Yes	
	DDE	Yes	
	Calibration	Automatic and manual calibration	
	Crosshair	Display/Hidden	
Power system	External power supply	24±3V DC	
	Power consumption	<14W (In normal temperature 25°C normal work)	
Environment	Operating temperature	- 40°C ~ +55°C	
	Storage temperature	-45°C ~ +65°C	
	Encapsulation	IP67	
Physical Characteristics	Weight	≤7Kg	
	Dimensions	320mmx226mmx168mm	
Interface	Power interface	Yes	
	Video output	PAL	
	Communication protocol	PELCO-D/P , INTELLISYSTEM	
	Remote Control	RS485	